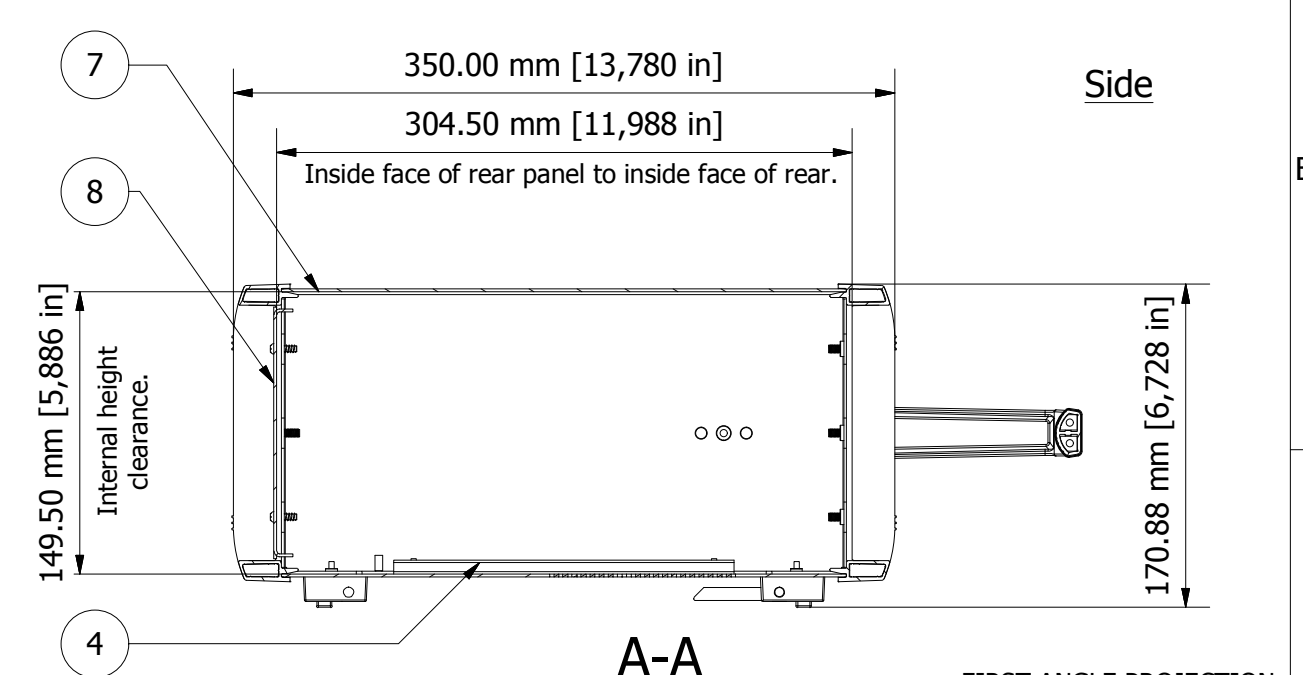
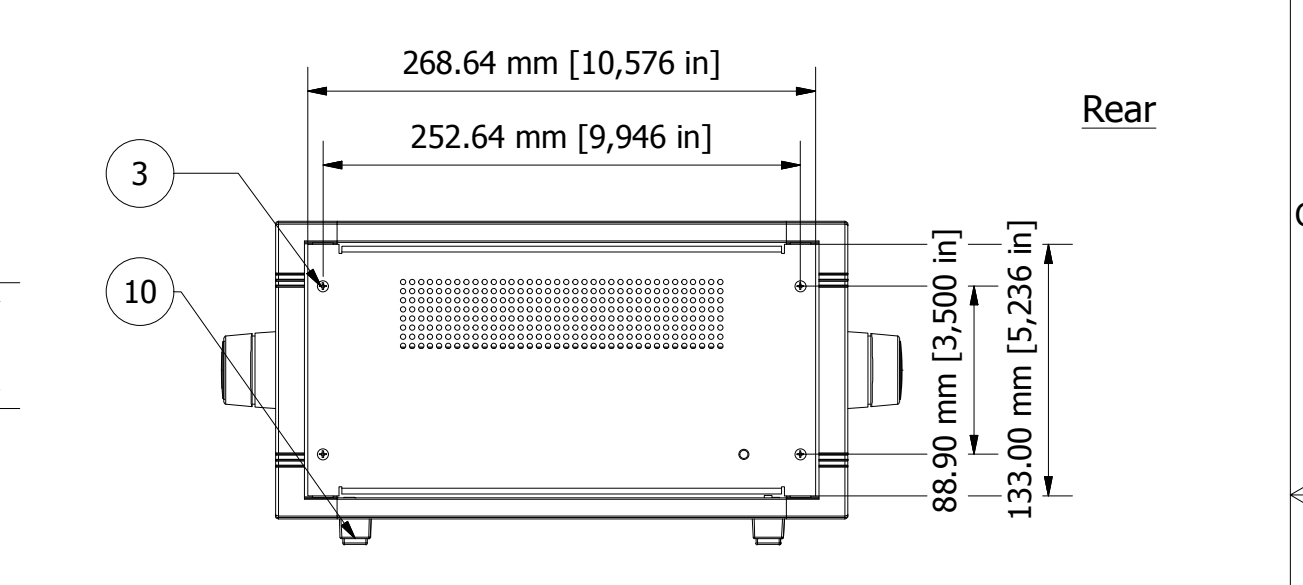


Notes:

- 1) Case is fabricated from 1.5 mm aluminium sheet with die cast & extrusion bezels.
- 2) Case is powder coat painted fine texture with RAL 7040 bezels and RAL 7035 panel work.
- 3) All parts have an M4 x 10 mm stud for earthing points.
- 4) The side grip handles are moulded ABS RAL 7035.

© OKW Enclosures Ltd (Date as shown). This drawing contains proprietary information of OKW Enclosures Ltd and is tendered subject to the following conditions. The information be retained in confidence, not be reproduced or copied, and not be used or incorporated in any product, unless permission is obtained in writing from OKW Enclosures Ltd.

PARTS LIST			
ITEM	QTY	PART NUMBER	DESCRIPTION
1	10	M3 x 8 mm CSK Screw	Base Panel Screws
2	8	M4 x 10 mm CSK Screw	Bezel Fixing Screws
3	4	M4 x 12 mm Pan Screw	Rear Panel Screws
4	2	M6002020	Sub Rack Support Runner
5	2	M6000003	Bezel
6	1	M6002001	Base Panel
7	1	M6001002	Top Cover
8	1	M6003001	Rear Panel
9	1	M6000028	Carry Handle
10	2	M5600045	Molded Tilt Feet



DESIGNED BY: L Clark
 DESCRIPTION: Instrumet 3U x 10.5" x 350 mm - Carry Handle
 DATE: 25/01/2013
 SCALE: 1:4

METCASE ENCLOSURES
 15 Brunel Way, Segensworth East, Fareham,
 Hampshire, UK. PO15 5TX
 Tel: +44 (0)1489 583858 Email: metcase@okw.co.uk

METcase www.metcase.com
 Part Number: M6010315
 Issue: 1
 Sheet: 1 / 1