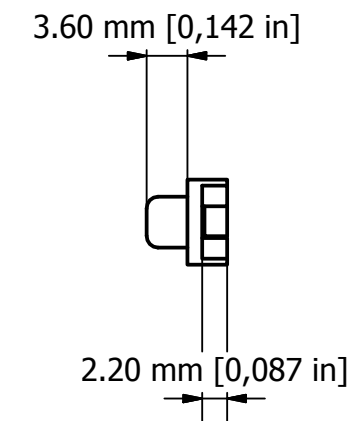
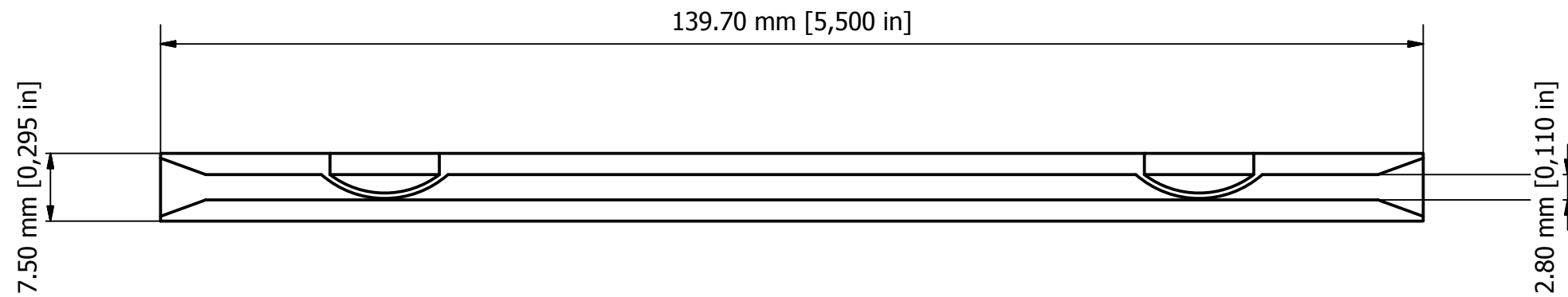
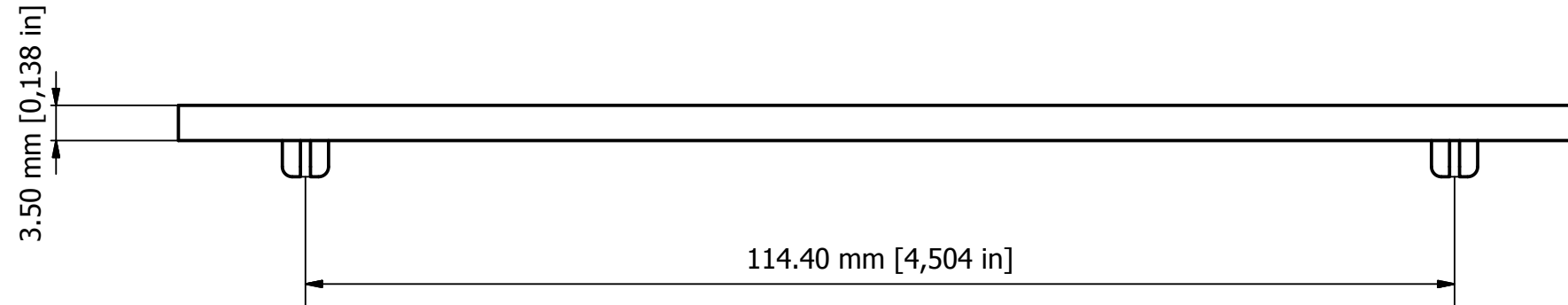
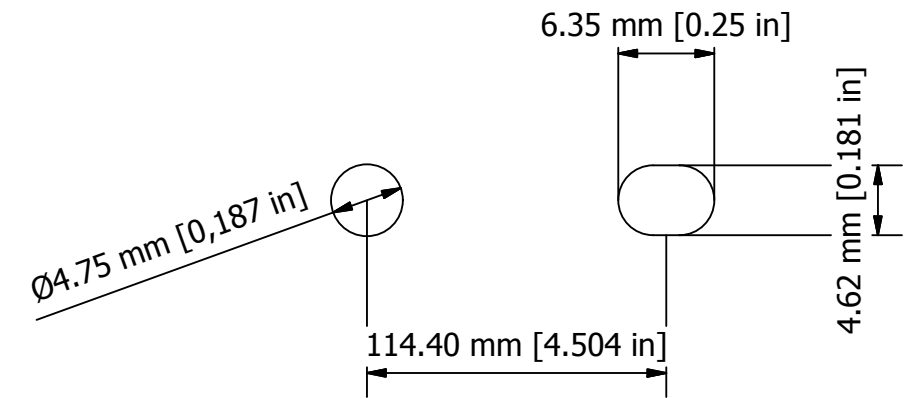


Mounts into these holes:



Card guide accepts PCB thicknesses of 0.8 - 2mm [0.031 - 0.078in]

FIRST ANGLE PROJECTION

Designed by L Clark	Description Multi Panel Card Guide	Date 18/01/2017	Scale 2:1
METCASE ENCLOSURES 15 Brunel Way, Segensworth East, Fareham, Hampshire, PO15 5TX, UK. Tel: +44 (0)1489 583858 Email: sales@metcase.co.uk		METcase™ www.metcase.com Part Number M6490020	
		Issue 1	Sheet 1 / 1

© OKW Enclosures Ltd (Date as shown). This drawing contains proprietary information of OKW Enclosures Ltd and is tendered subject to the following conditions. The information be retained in confidence, not be reproduced or copied, and not be used or incorporated in any product, unless permission is obtained in writing from OKW Enclosures Ltd.