

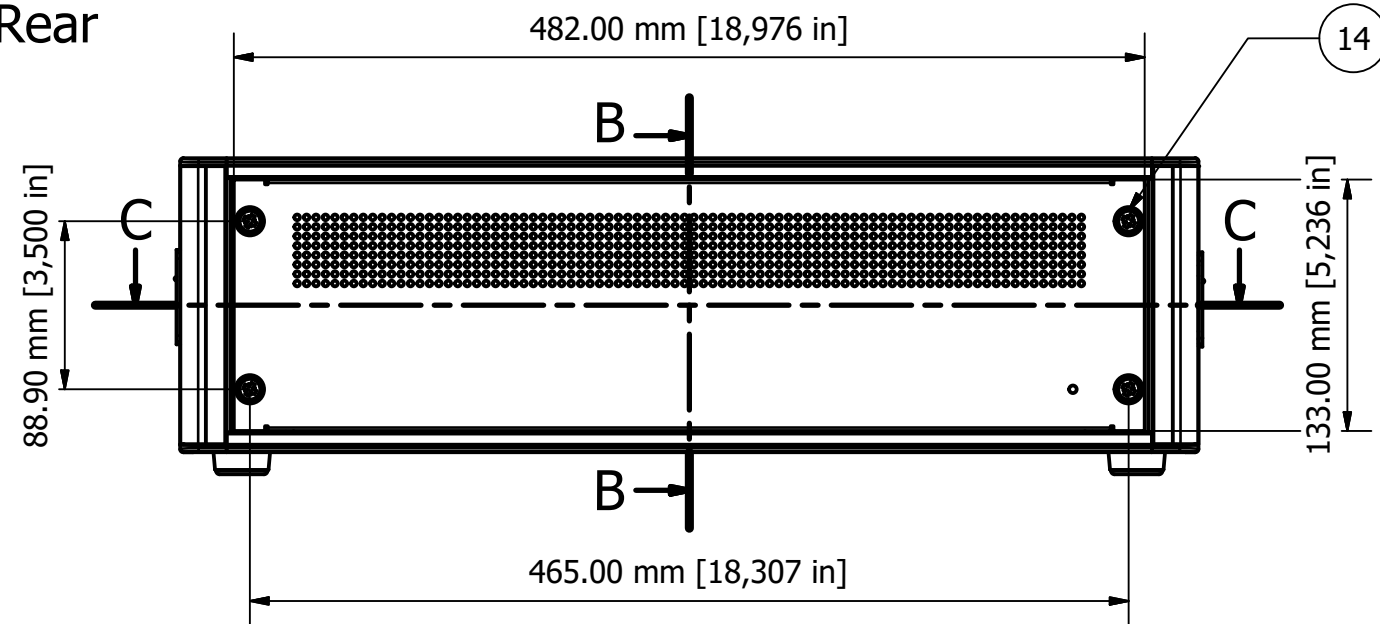
PARTS LIST			
ITEM	QTY	PART NUMBER	DESCRIPTION
1	12	M3x8mm Pan	19" Rack Bracket Screws
2	8	M6420000	Clip For Trims
3	2	M6604100	Support Runner
4	6	M4x12mm Pan	Support Runner Screws
5	1	M6602003	Cover
6	1	M6603213	Base/Internal Sides Sub Assy
7	2	M6600103	Bezel (Front/Rear)
8	1	M6603403	Vented Rear Panel
9	4	M6604003	19" Rack Mount Brackets
10	4	M6600013	Front/Rear Trims
11	2	M6000022	Side Grip Handles
12	4	M6420105	Technofeet
13	8	M4x16mm CSK	Bezel Fixing Screws
14	1	M5900035	19" Panel Screw Kit (M6)
15	2	M3x6mm CSK	Base Panel Screws

FIRST ANGLE PROJECTION

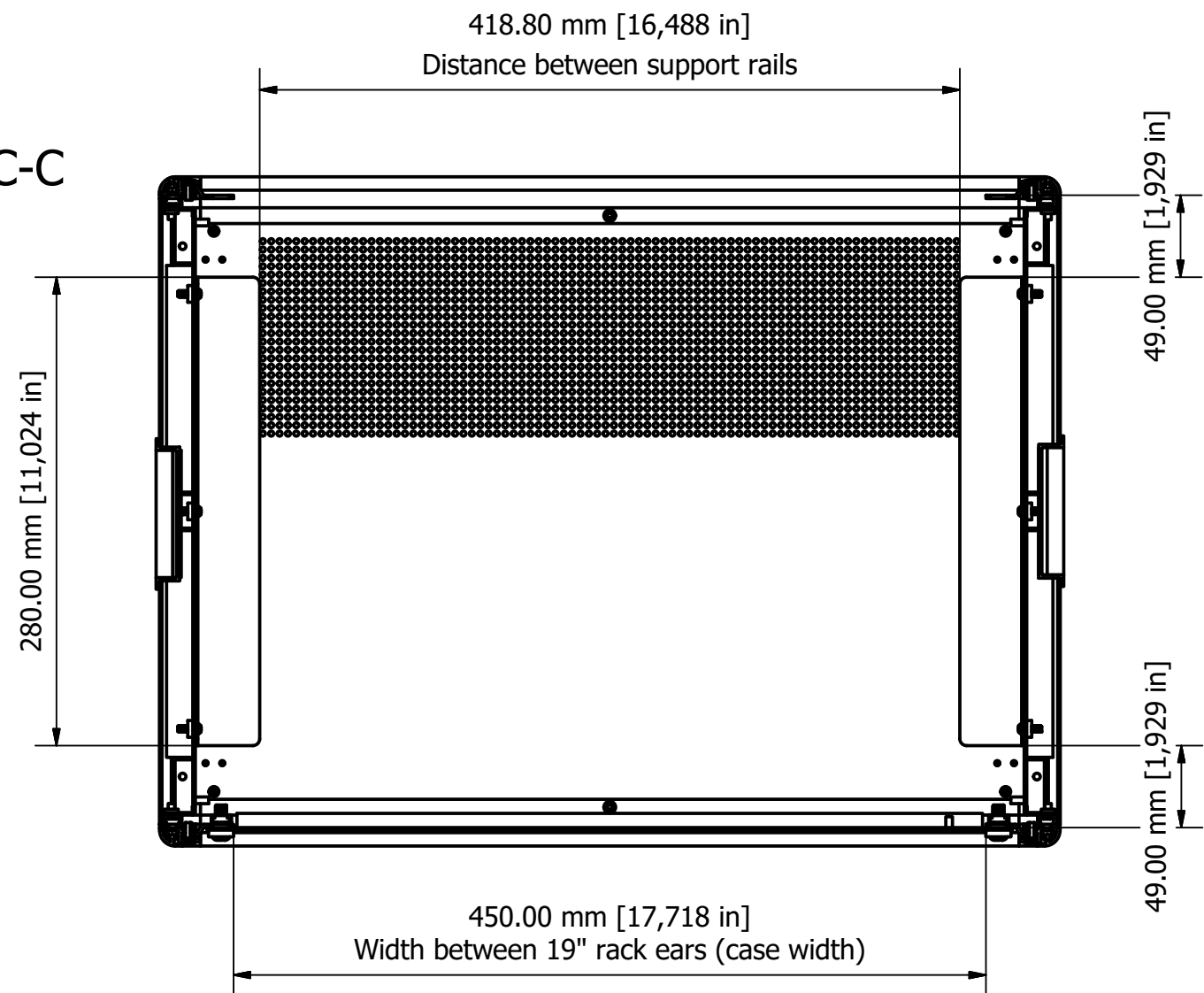
Designed by L Clark	Description Technomet 19" RC193 (3U x 540 x 400 mm)	Date 23/06/2018	Scale 1:4
<b>METCASE ENCLOSURES</b> 15 Brunel Way, Segensworth East, Fareham, Hampshire, PO15 5TX, UK. Tel: +44 (0)1489 583858 Email: sales@metcase.co.uk		<b>METcase™</b> www.metcase.com Part Number <b>M6619345</b>	
		Issue 1	Sheet 1 / 2

© OKW Enclosures Ltd (Date as shown). This drawing contains proprietary information of OKW Enclosures Ltd and is tendered subject to the following conditions. The information be retained in confidence, not be reproduced or copied, and not be used or incorporated in any product, unless permission is obtained in writing from OKW Enclosures Ltd.

Rear



C-C

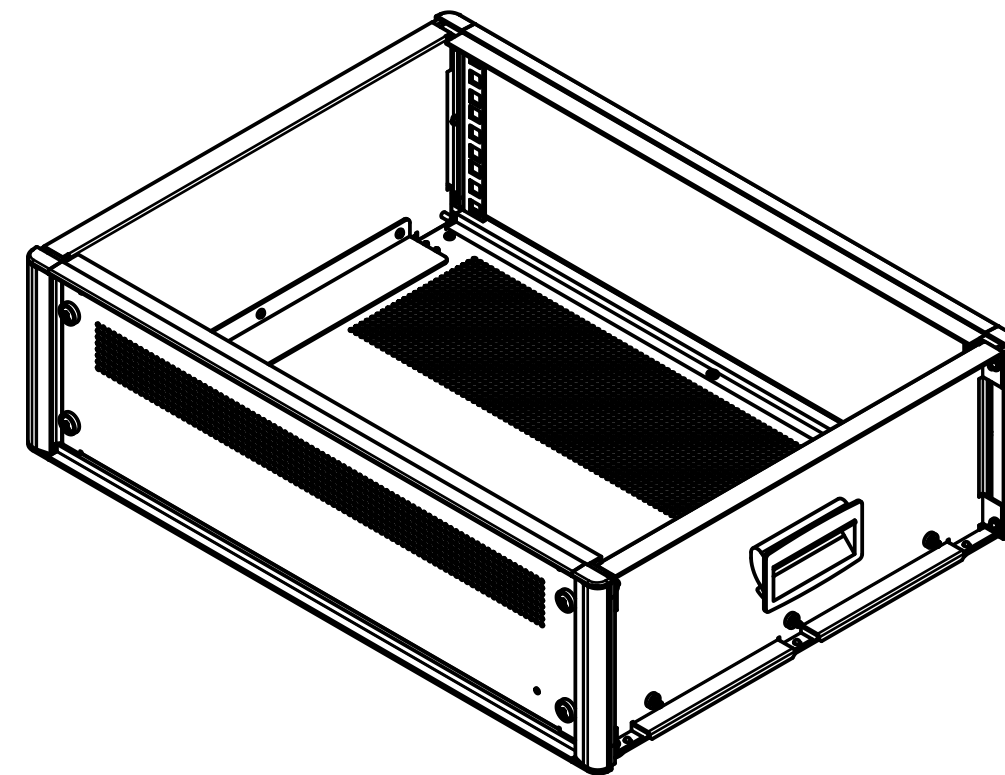
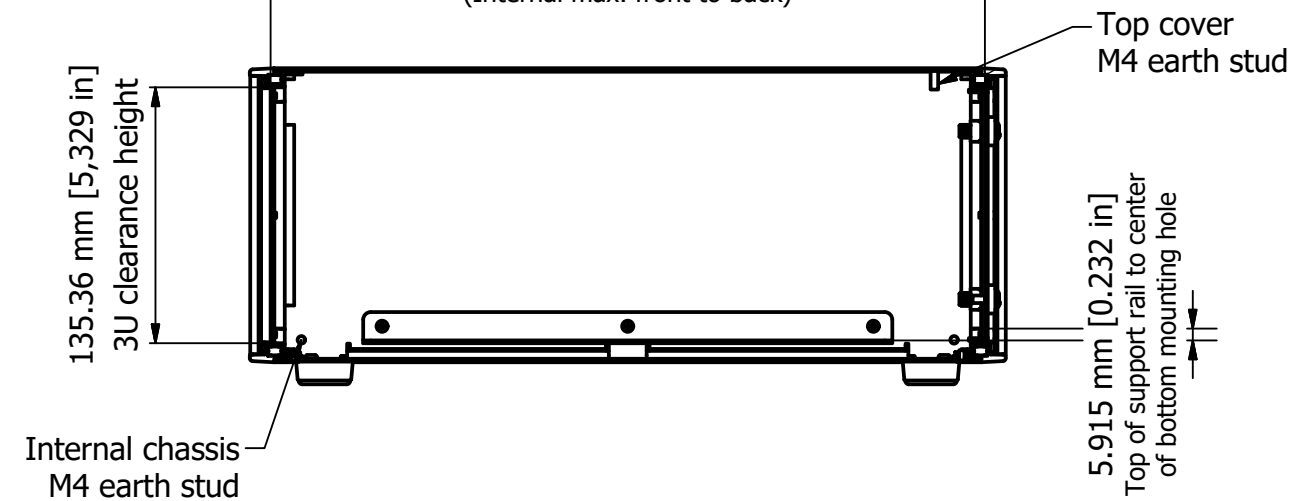


378.00 mm [14,882 in]

Depth between 19" rack mount brackets

(Internal max. front to back)

B-B



**Notes:**

- 1) Case is fabricated from 1.5 mm aluminium sheet with die cast and extrusion bezels.
- 2) Case is powder coat painted RAL 7035 fine texture light grey.
- 3) All parts have an M4 stud for earthing.
- 4) Supplied with 4 colour matching Technofeet.
- 5) 19" rack brackets are fitted to the front and back.

FIRST ANGLE PROJECTION

Designed by L Clark	Description Technomet 19" RC193 (3U x 540 x 400 mm)	Date 23/06/2018	Scale 1:4
<b>METCASE ENCLOSURES</b> 15 Brunel Way, Segensworth East, Fareham, Hampshire, PO15 5TX, UK. Tel: +44 (0)1489 583858 Email: sales@metcase.co.uk		<b>METcase™</b> www.metcase.com Part Number <b>M6619345</b>	
		Issue 1	Sheet 2 / 2