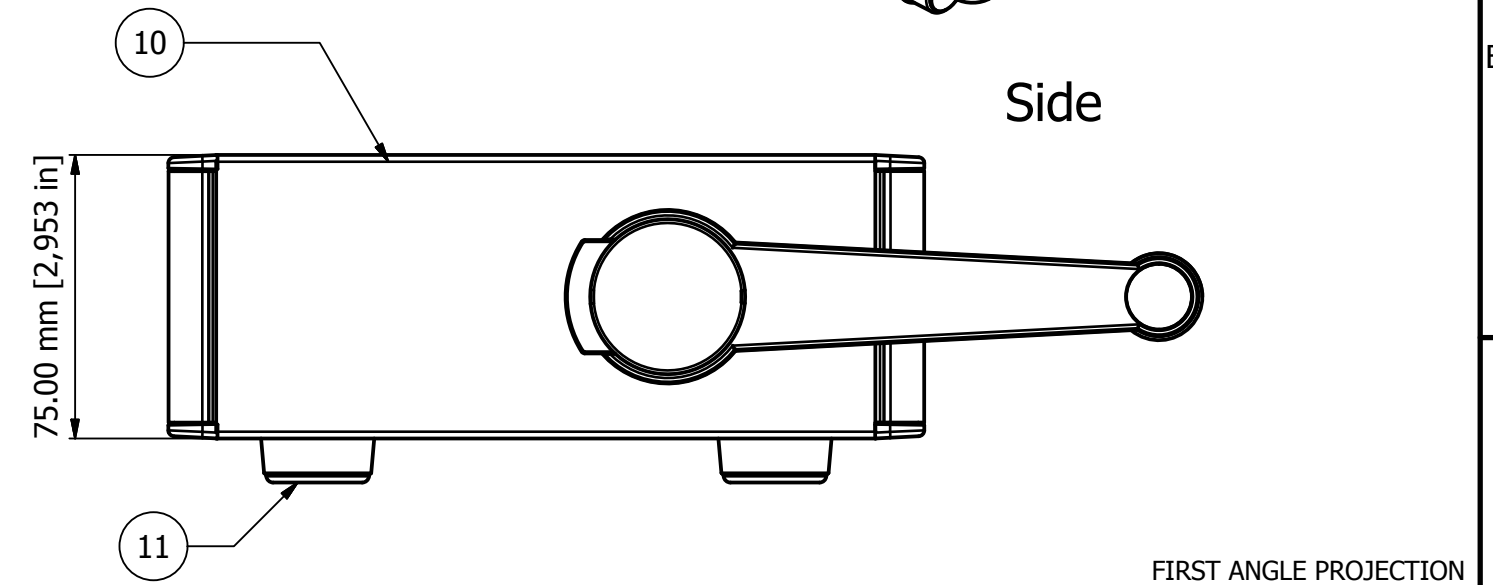
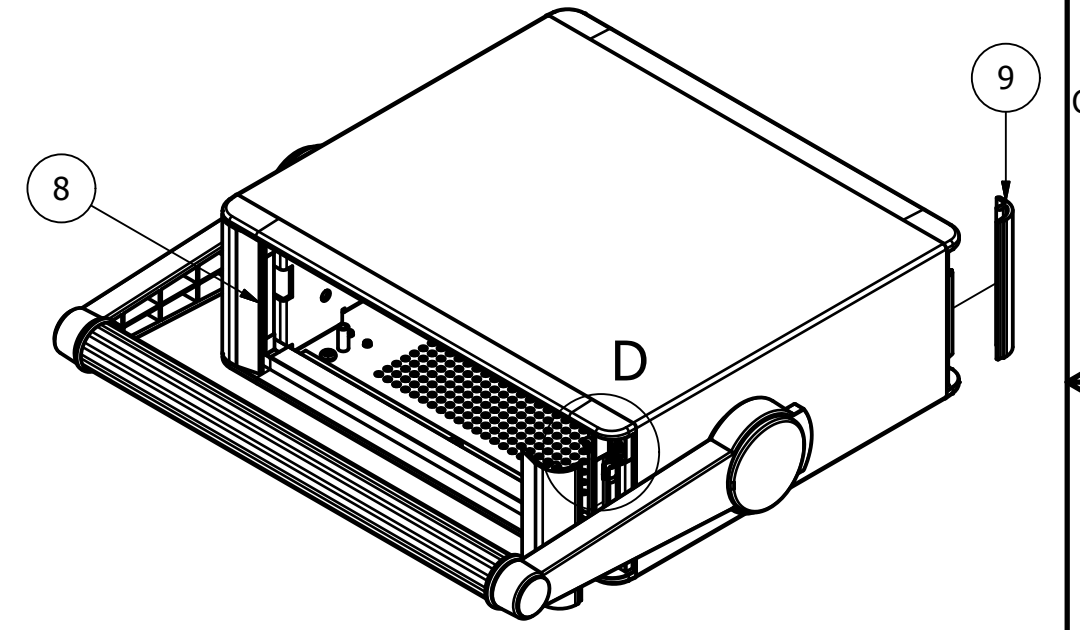


| PARTS LIST |     |             |                              |
|------------|-----|-------------|------------------------------|
| ITEM       | QTY | PART NUMBER | DESCRIPTION                  |
| 1          | 2   | M6401015    | Front/Rear Bezel             |
| 2          | 1   | M6403315    | Base/Internal Sides Sub-Assy |
| 3          | 1   | M6403415    | Rear Panel - 1.5 mm thick    |
| 4          | 8   | M3x8mm Pan  | Rear Panel Screws            |
| 5          | 8   | M4x16mm CSK | Bezel Assembly Screws        |
| 6          | 2   | M3x6mm CSK  | Base Panel Screws            |
| 7          | 8   | M6420000    | Clip for Trims               |
| 8          | 2   | M6400051    | Front Trim                   |
| 9          | 2   | M6400071    | Rear Trim                    |
| 10         | 1   | M6402125    | Wrap Around Cover            |
| 11         | 4   | M6420105    | Technofeet                   |
| 12         | 2   | AS054231    | Bail Arm Kit                 |
| 13         | 1   | M6404225    | Handle Bar                   |

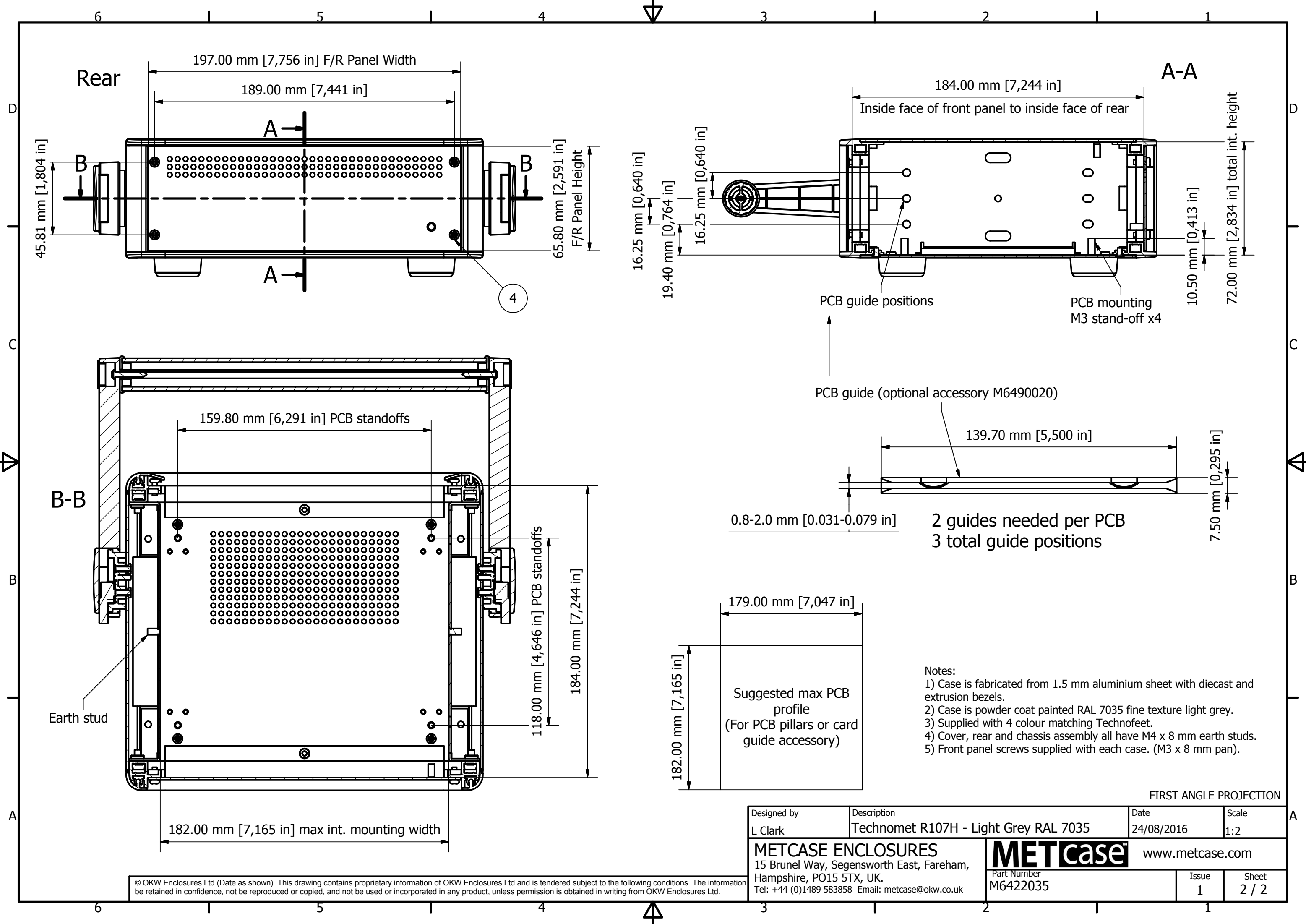


Front panel (M6400700) sold seperately

FIRST ANGLE PROJECTION

|  |  |   |                |
|--|--|---|----------------|
| Designed by<br>L Clark   | Description<br>Technomet R107H - Light Grey RAL 7035 | Date<br>24/08/2016  | Scale<br>1:2   |
| <b>METCASE ENCLOSURES</b><br>15 Brunel Way, Segensworth East, Fareham,<br>Hampshire, PO15 5TX, UK.<br>Tel: +44 (0)1489 583858 Email: metcase@okw.co.uk |  | <b>METcase™</b> www.metcase.com<br>Part Number<br><b>M6422035</b> |                |
|  |  | Issue<br>1  | Sheet<br>1 / 2 |

© OKW Enclosures Ltd (Date as shown). This drawing contains proprietary information of OKW Enclosures Ltd and is tendered subject to the following conditions. The information be retained in confidence, not be reproduced or copied, and not be used or incorporated in any product, unless permission is obtained in writing from OKW Enclosures Ltd.



- Notes:
- 1) Case is fabricated from 1.5 mm aluminium sheet with diecast and extrusion bezels.
  - 2) Case is powder coat painted RAL 7035 fine texture light grey.
  - 3) Supplied with 4 colour matching Technofeet.
  - 4) Cover, rear and chassis assembly all have M4 x 8 mm earth studs.
  - 5) Front panel screws supplied with each case. (M3 x 8 mm pan).

FIRST ANGLE PROJECTION

|  |  |   |                |
|--|--|---|----------------|
| Designed by<br>L Clark   | Description<br>Technomet R107H - Light Grey RAL 7035 | Date<br>24/08/2016  | Scale<br>1:2   |
| <b>METCASE ENCLOSURES</b><br>15 Brunel Way, Segensworth East, Fareham,<br>Hampshire, PO15 5TX, UK.<br>Tel: +44 (0)1489 583858 Email: metcase@okw.co.uk |  | <b>METcase™</b> www.metcase.com<br>Part Number<br><b>M6422035</b> |                |
|  |  | Issue<br>1  | Sheet<br>2 / 2 |

© OKW Enclosures Ltd (Date as shown). This drawing contains proprietary information of OKW Enclosures Ltd and is tendered subject to the following conditions. The information be retained in confidence, not be reproduced or copied, and not be used or incorporated in any product, unless permission is obtained in writing from OKW Enclosures Ltd.